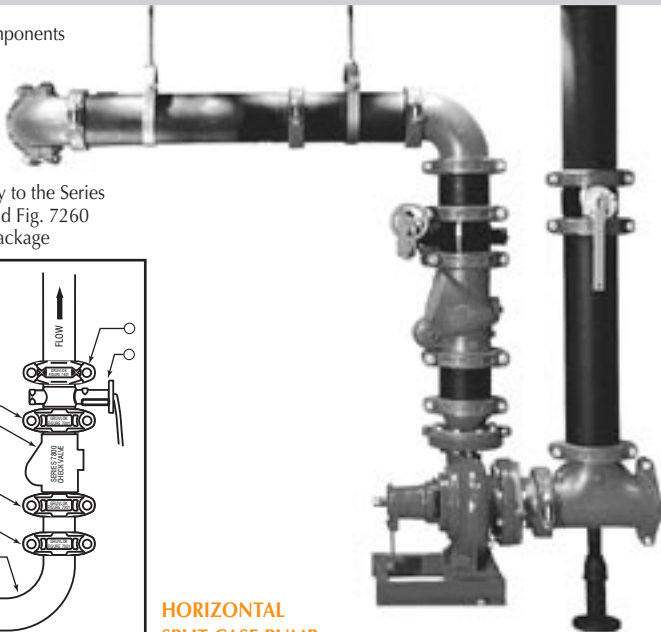
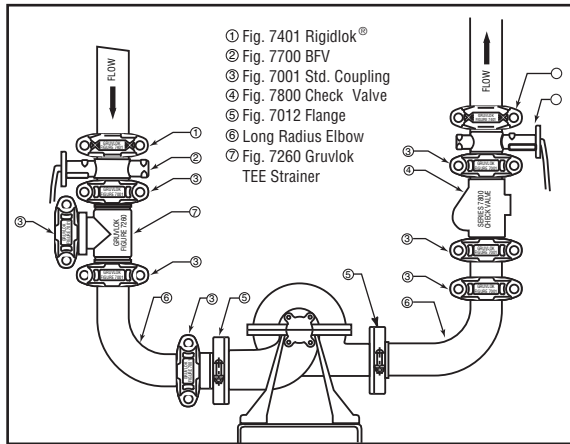


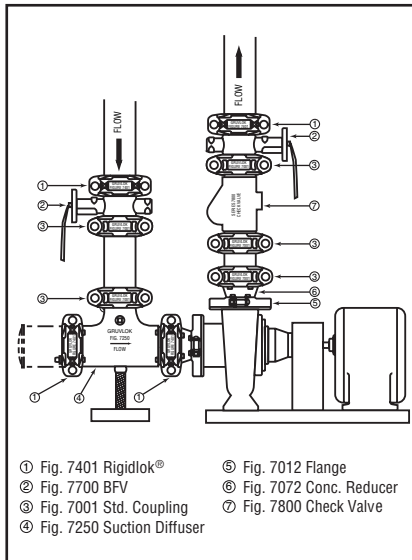
GRUVLOK® FLOW CONTROL COMPONENTS

Anvil has put together a complete array of Gruvlok components necessary to provide pump protection for HVAC and industrial piping needs. With the combination of the Fig. 7401 Rigidlok and Fig. 7001 Standard coupling, flex connectors can be eliminated thus reducing cost. The Series 7700 Gruvlok® Butterfly valve has superior flow characteristics. The Gruvlok® Series 7800 Check Valve is full waterway valve and can be stacked directly to the Series 7700 Butterfly Valve. The Fig. 7250 Suction Diffuser and Fig. 7260 Tee Strainer complete the Gruvlok® pump protection package



HORIZONTAL SPLIT CASE PUMP

END SUCTION PUMP



VERTICAL SPLIT CASE PUMP

